

Majito

USER MANUAL



NEXT ELECTRIC MOTORS



TO OUR VALUABLE CONSUMERS

Thank you very much for choosing our e-scooter.

This manual focuses on the basic performance, adjustment methods, safe driving instructions and maintenance information of electric scooters. For your own safety and more enjoyable riding experience, please carefully read the contents of this manual before riding the electric scooters.

Your riding safety depends not only on your personal alertness and your driving proficiency, but also depends on the mechanical performance of the electric scooters. It is essential that you check and perform maintenance for the electric scooter before riding every single time.

This electric scooter will be your ideal transportation tool as long as you check in advance, master the safe driving method and obey the traffic rules. Due to the continuous improvement of this product, the relevant data and structure of this manual are subject to change without further notice.

Kind reminder :

Please do not use the electric scooter without carefully reading the instructions and understanding the function of electric vehicle. Please do not lend it to people who do not know how to operate and ride the electric vehicle.

Please do not discard the waste battery at will to avoid polluting the environment.



CONTENT

Vehicle configuration list.....	04
Complete vehicle structure drawing.....	04-05
Keyhole	05
Correct use of changer	10-11
Battery maintenance	11-12
Vehicle body maintenance	12-13
Important notes	13-14
Inspections before riding	14-15
Common faults and troubleshooting	15-16
Non-warranty clause	17
Correct use of vehicle	17
Maintenance record	18

VEHICLE CONFIGURATION LIST

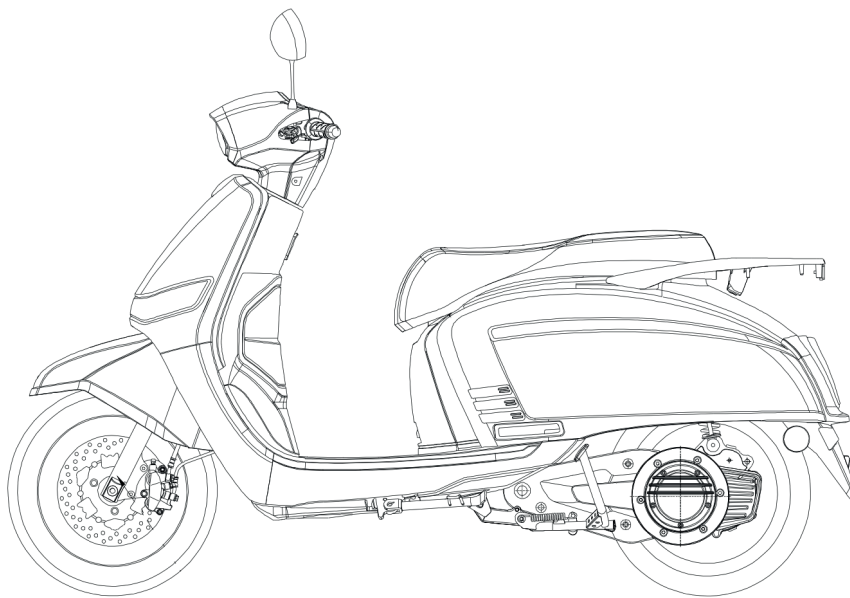
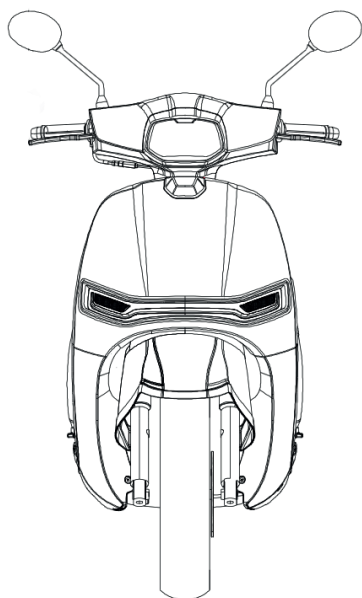


No.	Name	Unit	Qty.	Remarks
1	Electric Scooter	unit	1	
2	Key	set	2	
3	Charger	pcs	1	
4	Manual	pcs	1	
5	Rear view mirror	pair	1	



Once the purchased product is used, it shall be deemed that the user agrees that the product's configuration is complete and intact, other free configuration request from customers will no longer be accepted.

COMPLETE VEHICLE STRUCTURE DRAWING

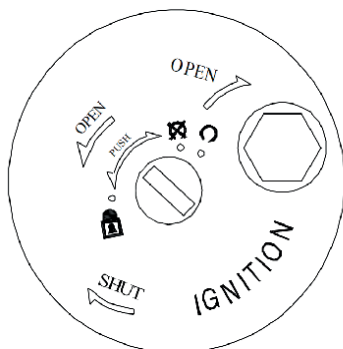


Model parameters chart

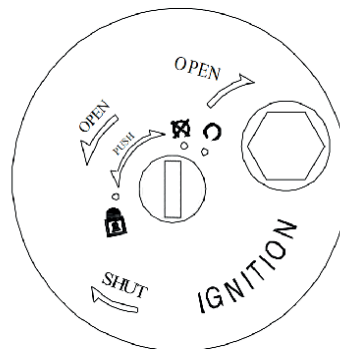
Version	Lithium L1E	Lithium L3E
Battery type	72V 40AH	72V 40AH
Charging time	2.5 H	2.5 H
Motor	3000W	3000W
Brake system	F/R Disc brake	F/R Disc brake
Tyre	120/70-12	120/70-12
Mas speed	45 km/h	80 km/h
Max range	100km	80km

*Notice: Max range data teste theoretically under the condition of ambiente temperature 23-35 °C, loading mass 75kgs, on flat road. Actual data may be different according to different

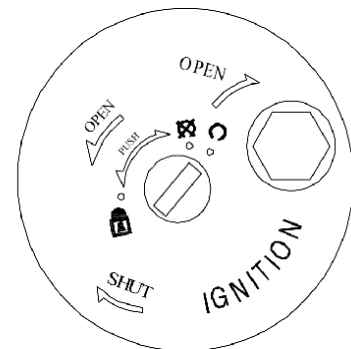
KEYHOLE



LOCK



OFF Position

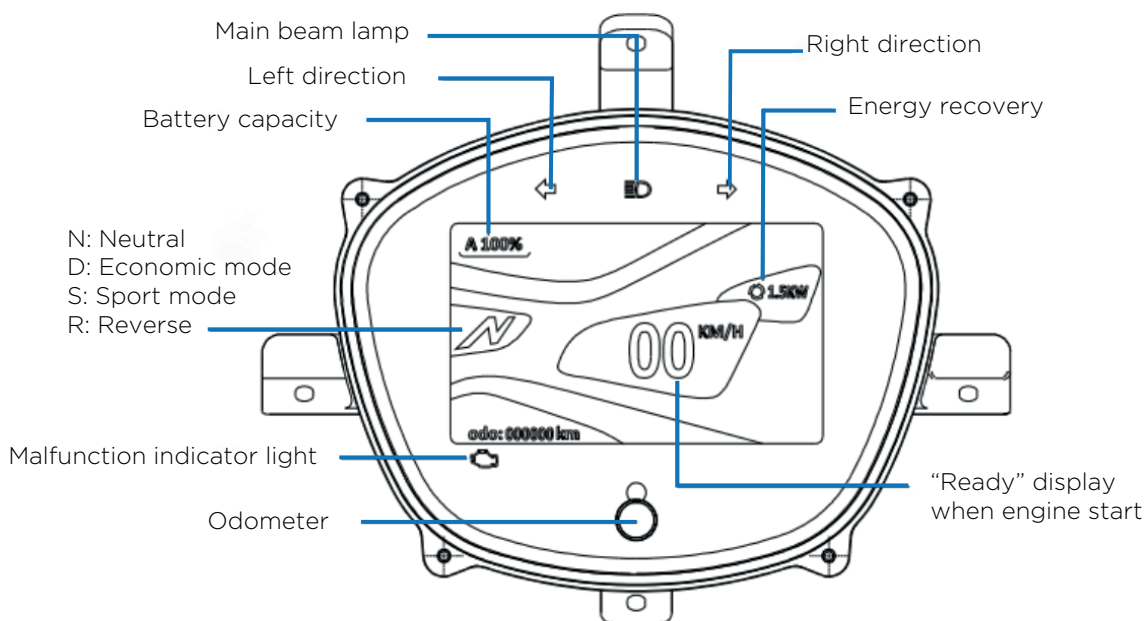


ON Position

DISPLAY



It adopts intelligent operation console, the display mode is the same as that of conventional household scooter including battery electricity capacity, current speed, odometer & trip meter, direction signal light indication, parking indication, riding mode indication.

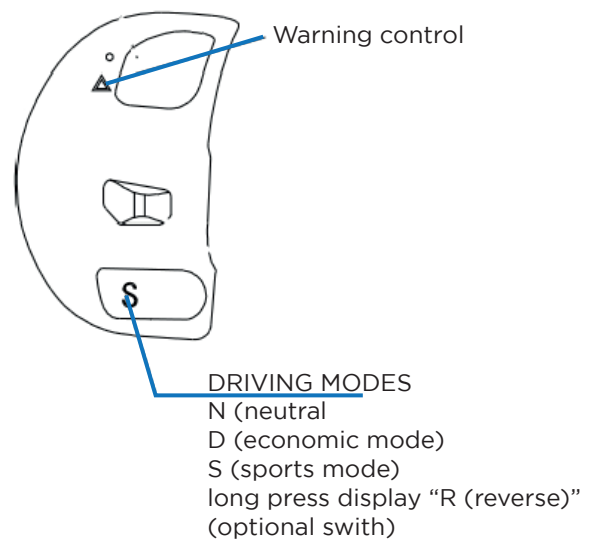
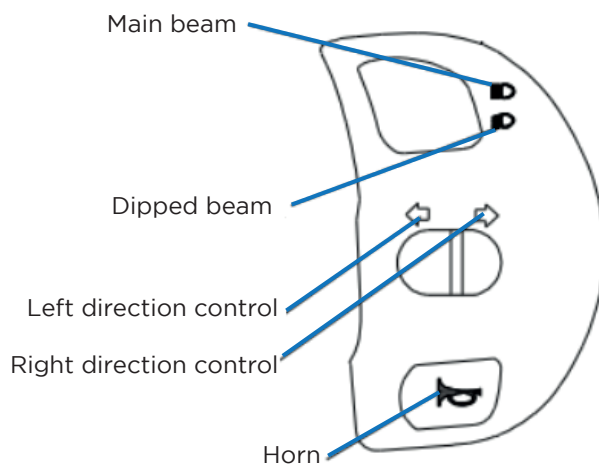
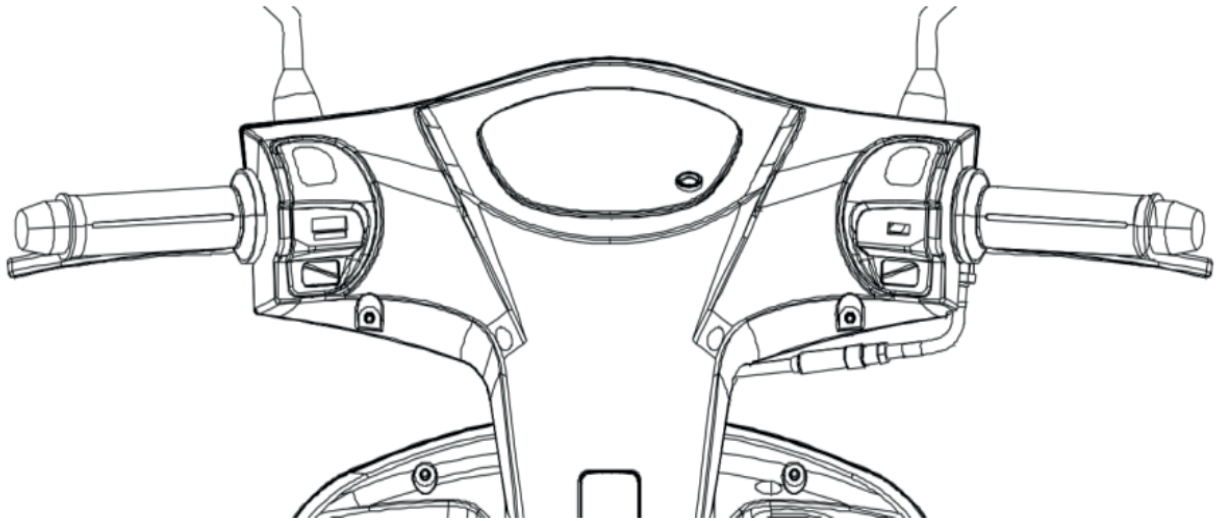
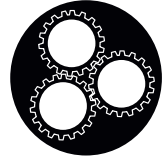


Instruction for battery level indicator light

SOC A 100%

The battery level is displayed by the percentage energy in the display. When there is only 5% battery bar remaining, please charge the vehicle as soon as possible.

SWITCH COMP



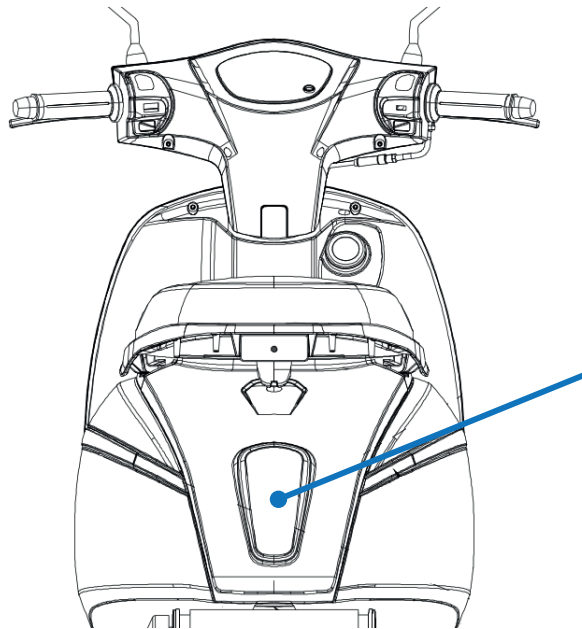
Left hand switch comp includes: High & low beam light switch, turning light switch, horn button.

Right hand switch comp includes: warning light switch, riding mode button.

TAIL LIGHT



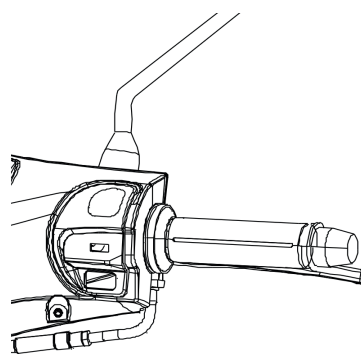
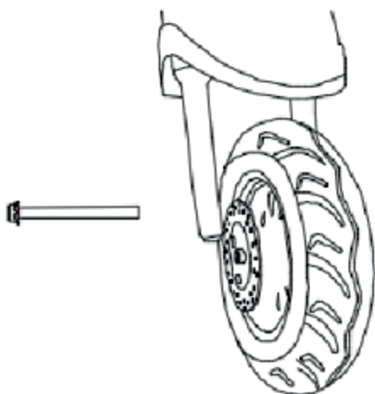
The rated voltage of vehicle tail light is 12V, and the spotlight effect is outstanding which can help you ride at night freely.



QUICK INSTALLATION

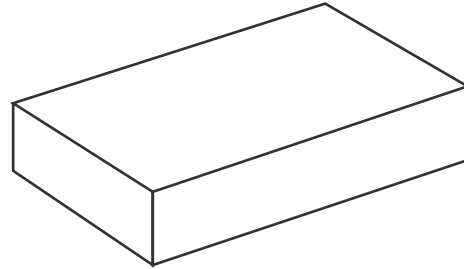
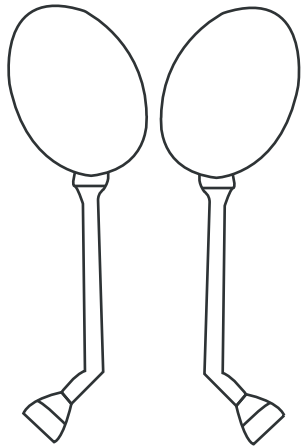


You can start to travel comfortably with simple installation steps.



1. Front wheel installation
2. Rear-view mirrors installation
3. Connect the power cord

VEHICLE ITEMS



Tool box including (manual, charger, rear-view mirror).

BATTERY SERVICE ENVIRONMENT



We use lithium batteries for this model, lithium batteries are small in size, light in weight, long in service life, easy to take out and charge.

Meanwhile, please pay attention to the following issues when using the vehicle:

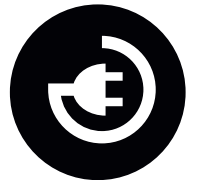


If the battery has peculiar smell, abnormal heating and deformation, please stop using immediately and keep away from the battery.

Battery charging environment

- 1 Please charge the scooter when the environmental temperature is 0°-45°.
- 2 Please place the charger in a safe place that children cannot reach when charging.
- 3 In order to avoid affecting the service life of the battery, do not charge for more than 12 hours.
- 4 If the battery is not fully charged for continuous 12 hours, please stop charging.
- 5 In order to ensure good battery life and superior performance, please ride when the battery level is between 20% -90%.
- 6 If you need to lay the scooter aside for a long time, please make sure that the storage environment is between 0 - 30 and the battery store above 50%. At least one month. Please charge and discharge the scooter battery completely once in a month at least, otherwise the battery will experience a irreversible power decay.
- 7 Avoid storing the battery in the place where there is a risk of falling, because it may cause the risk of leakage, abnormal heating, smoke, even fire and other hazard.

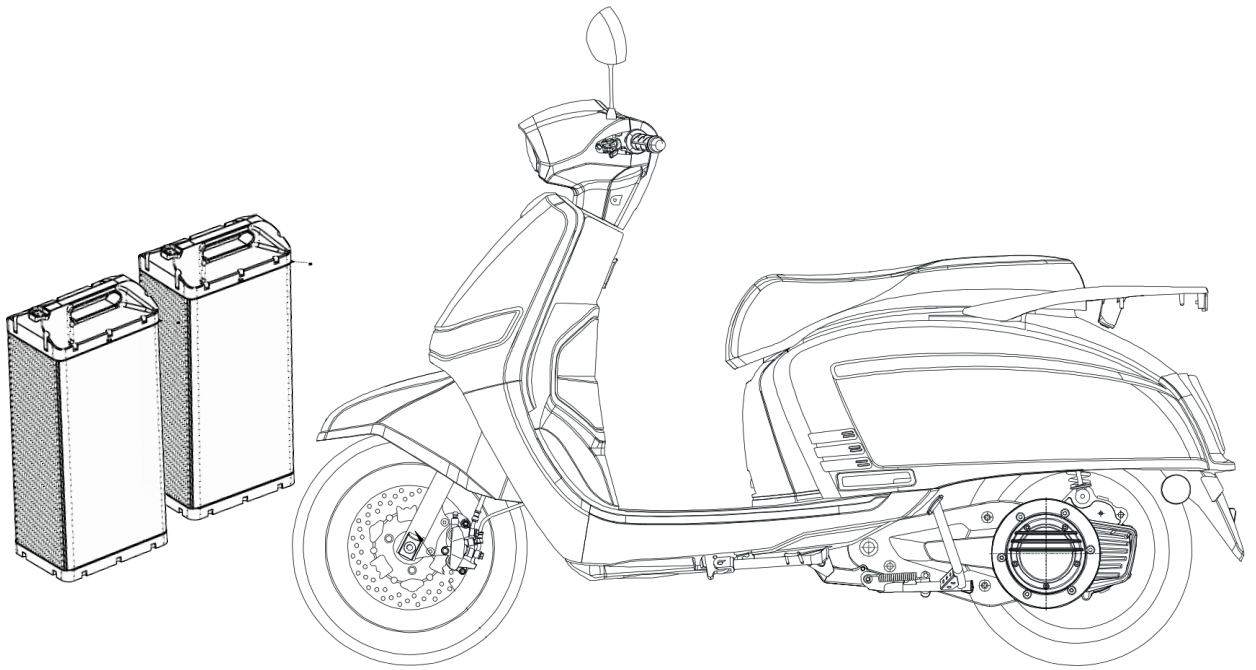
CORRECT USE OF CHARGER



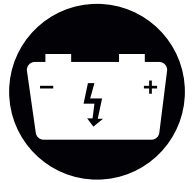
Correct use of charge

- 1 Please charge as shown in the figure.
When the input & output terminals of the charger are connected, the red indicator light of the charger will be on. The standard charging time should be: Charge according to the time specified by the matching charge:

Note: When charging for the first time, the battery shall be fully charged before use; Do not disassemble the charger without permission because it contains high voltage circuit; When charging the battery, do not cover anything on it to accidents.



BATTERY MAINTENANCE



In order to achieve the best performance, please maintain the battery according to the instructions.

Specific requirements are as follows :

- 1 Charging time should not be too long or too short. After the charging process appears to finish, try to keep it for a while and disconnect the power supply to ensure the battery is fully charged.
- 2 Battery storage with low power is strictly prohibited.

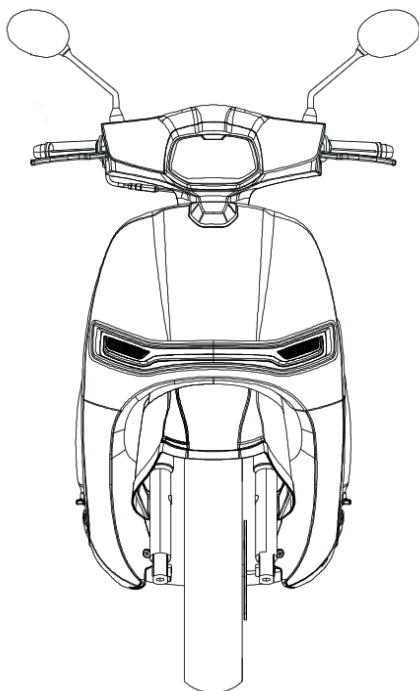
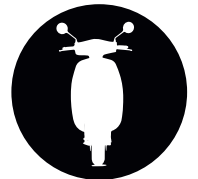
- 3 Exposure in high temperature or rainy environment will lead to an irreversible impact on battery life. Therefore, the battery of this product should avoid the above conditions.
- 4 In order to avoid the occurrence of large current discharge, please pay attention to slowly adjust the speed handle when you riding

Capacity drops by 1% if the temperature drops by 1°C. When battery is under high temperature in winter, the battery cycle capacity is weak and the electrolyte viscosity increases, so the chemical reaction resistance increases and the charging time may be shortened (70% will be charged below 5°C)

The charging capacity is 60%-70%, the discharge is 50%-60%, and the mileage will be reduced (namely the scooter cannot run long distance).

It is strictly forbidden to charge electric scooters in an environment below 0°C!

VEHICLE BODY MAINTENANCE



- 1 Although the scooter has good waterproof performance, in order to achieve the best riding state, please avoid direct rain or exposure to insolation to prevent scooter body or rotating components from rusting.
- 2 If direct contact of the rain cannot be avoided, be sure to wipe the scooter body clean after riding so that the rusting can be prevented and the riding performance will not be affected.

Electronic control systems usage precautions



The electronic control system is the core of the scooter electric system and has protective functions such as under voltage, current limit and self-test. As the main circuit of an electric vehicle, the electronic control system has a large current and emits heat when working.

Therefore, the electric vehicle should not be parked under the sunlight or near a heat source, so as to avoid the malfunction of the controller and affect the normal use of this product.

IMPORTANT NOTES



- 1 Develop a good charging habit. Make sure the energy of scooter is above the minimum allowable riding level before each riding.
- 2 As an important part of the scooter, the battery is affected by various external factors.
Generally speaking, the discharge performance of the battery is good when the temperature is high. But the power of the battery may drop by more than 1/3 if the temperature drops below 0°C. Therefore, when the cold winter arrives, the reduction of the cruising range after one-time charging is quite normal. When the temperature rises above 25°C, its function will naturally recover.
- 3 It is forbidden to use a charger that does not match the scooter (or not provided by our company) for charging. Our company shall not be liable for any accident arising out of this.
- 4 When riding downhill, be sure to use both brakes first to avoid accidental injury caused by the forward movement of the center of weight.
- 5 Before riding, please make sure that the brakes, cushions, body, handlebars, tires are safe and reliable to avoid accidents.

- 6 Please avoid riding in muddy, bumpy and stairs roads to avoid accidental puncture, wheel hub deformation and damage to your electric vehicle.
- 7 Please do not hang heavy objects on the handlebars to avoid runaway.
- 8 It is strictly forbidden to short the positive & negative poles of the battery with wires or conductors to avoid danger and damage to the battery.
- 9 Handle the battery gently to avoid collision and damage to the battery.

INSPECTIONS BEFORE RIDING



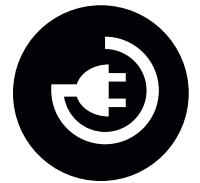
Expects you to do a thorough inspection before riding in order to ensure your driving safety:

- 1 Whether the tire pressure is normal.
- 2 Whether the front & rear hubs are locked.
- 3 The brakes should be reliable and can reset flexibly. The braking distance should be increased in rainy and snowy days.

INSTRUCTION FOR USE

- 1 Insert the key into the keyhole and turn it to the "ON" position so the battery indicator light will be on, indicating that the power is on.
- 2 Turn the speed control knob(right handle) inward (counter clock wise). When the vehicle is starting , the turning angle of the speed control handle changes from small to large, so the vehicle speed changes from slow to fast as well.
- 3 At the beginning of starting up, it should be slowly accelerated to avoid excessive rapid start up current.
- 4 Rider should choose constant speed during the riding process and minimize frequent braking and starting for the sake of safety .

COMMON FAULTS AND TROUBLESHOOTING



Fault phenomenon	Fault diagnosis	Troubleshooting
The console indicator is not on the motor won't operate	Battery voltage under normal voltage	Charging immediately
	Battery life exhausted	Replace the battery
	Power lock damaged	Replace the power lock
High-speed operation of the motor cannot be controlled after the power lock is turned on	Original parts in the controller damaged	Replace the controller

Fault phenomenon	Fault diagnosis	Troubleshooting
Motor runs & stops randomly	Poor battery contact	Adjust or polish contacts
	Power lock burned down	Replace the power lock
Short distance ride after one time charging	Poor battery contact	Replace the battery
	Power lock burned down	Replace the charger
Battery cannot be (fully) charged	End of battery life	Replace the battery
	Charger no output	Replace the charger
	Poor contact between charger and charging socket	Replace the charging socket
Headlight is not bright	Headlight switch damaged	Replace the switch
Controller component burned out	Water in the controller, short circuit, etc	Replace the controller

NON-WARRANTY CLAUSE



- 1 Exceeding the maintenance period.
- 2 Damage caused by improper usage, such as: crash, falling, overload, overspeed and failure caused by not driving according to electric vehicle driving instructions.
- 3 Damage caused by smoke, drugs, chemicals and failures caused by force majeure such as earthquakes, typhoons, floods, fires, etc.
- 4 Phenomenon that does not affect the feeling of normal driving or performance to a certain extent, such as: shock vehicle, noise, etc.
- 5 Unauthorized disassembling or damage of the vehicle component.
- 6 Damage to the charger, battery and motor due to violating using instructions.
- 7 Unauthorized use of non-original vehicle accessories and cause damage to components.
- 8 Change the "Product warranty" certificate or the product model and motor number are inconsistent with the "Product warranty" certificate.
- 9 Damage to components due to human factors.
- 10 Use the charger on another brand vehicle without permission.

CORRECT USE OF VEHICLE



- 1 Please read this product manual carefully and ride the scooter safely to enjoy a comfortable trip.
- 2 Please obey the relevant traffic regulations of your country. Do not use mobile phones or wear headphones while riding to avoid potential safety hazards;
- 3 Please do not use third-party accessories that are not official scooter standard. Do not disassemble, crack and modify the scooter without authorization. Otherwise, the damage caused will be borne by you and you will lose the scooter electric warranty.

MAINTENANCE RECORD



Date/km	Center	Comments



N E X T E L E C T R I C M O T O R S